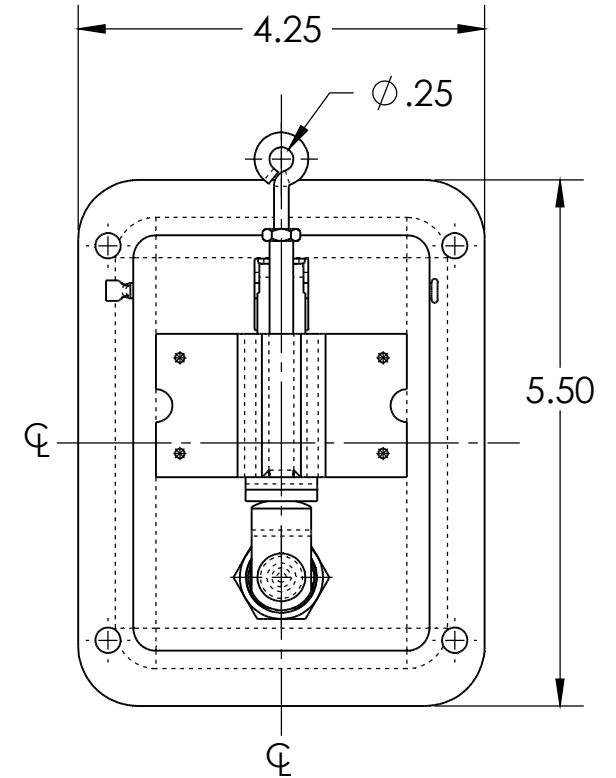
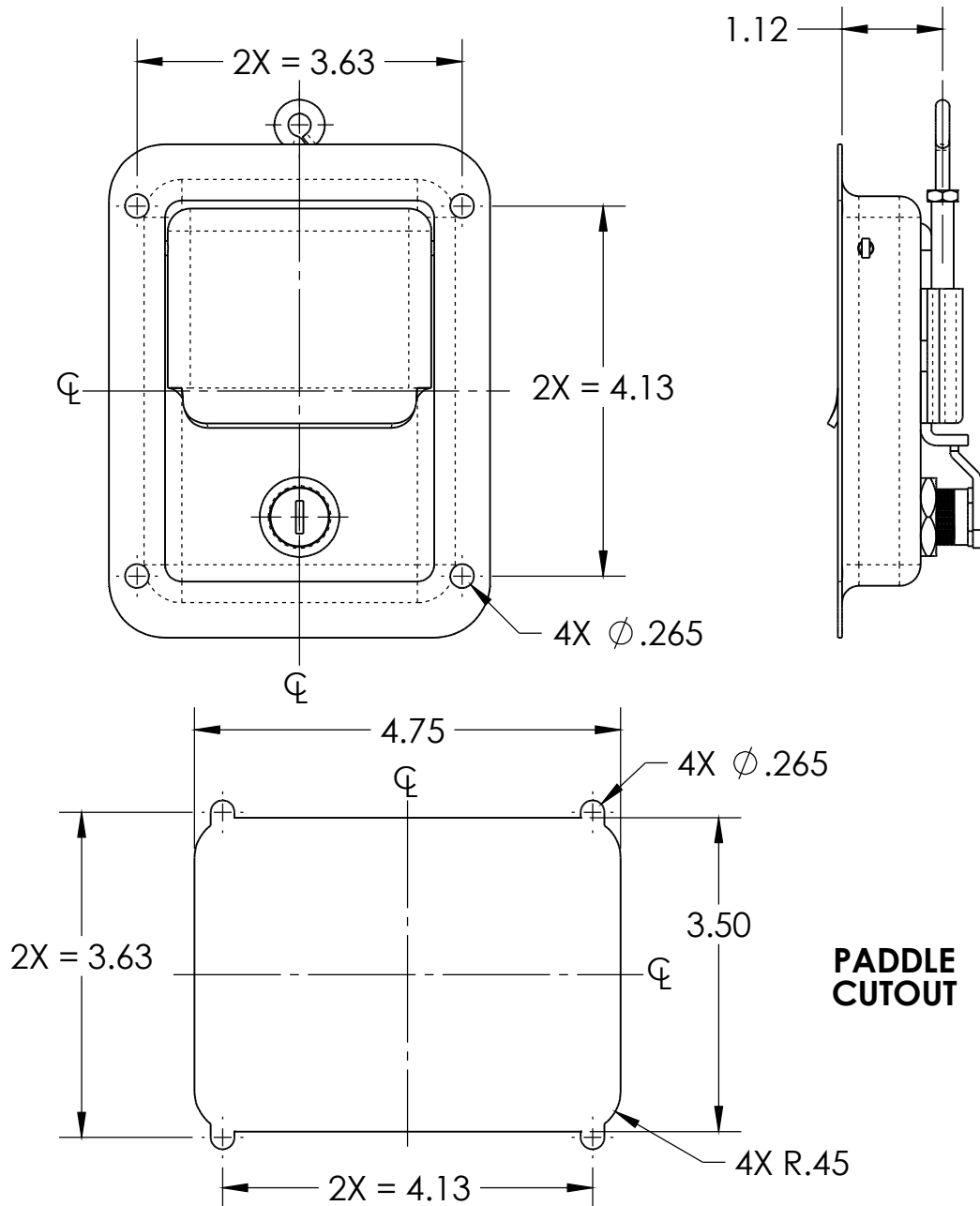


NOTES:

1. MATERIAL AND FINISH: STEEL TRAY AND HANDLE POWDER COATED BLACK. COMPONENTS ARE STAINLESS STEEL OR ZINC PLATED STEEL.
2. CABLE EYLET HAS .75" ADJUSTMENT. MINIMUM RETRACTION IS .44".
3. = DENOTES DIMENSIONS THAT ARE EQUALLY SPACED ABOUT THE CENTERLINE.
4. DIMENSIONS ARE FOR REFERENCE ONLY.



**PADDLE  
CUTOUT**



DESCRIPTION:	ASSEMBLY -1-DSLAC	Weight	.95 LBS
Part Number:	102016X1XL	REV	-

PROPRIETARY NOTICE: THIS DRAWING IS EXCLUSIVELY THE PROPERTY OF HANSEN INTERNATIONAL INC. AND SHALL NOT BE COPIED OR PASSED ON TO A THIRD PARTY WITHOUT OUR PRIOR WRITTEN APPROVAL. WE WILL RETAIN ALL RIGHTS FOR PATENT ISSUE OR REGISTRATION OF DESIGN.  
©2018 Hansen International, Inc.